

TROUBLESHOOTING

- The LED should light when the unit is operating.

If the LED does not light:

1. Check to be sure there is power to the unit.
2. Be sure lamp connector is fastened securely.
3. If the LED still does not light, replace lamp.
4. If still not operating, replace ballast.

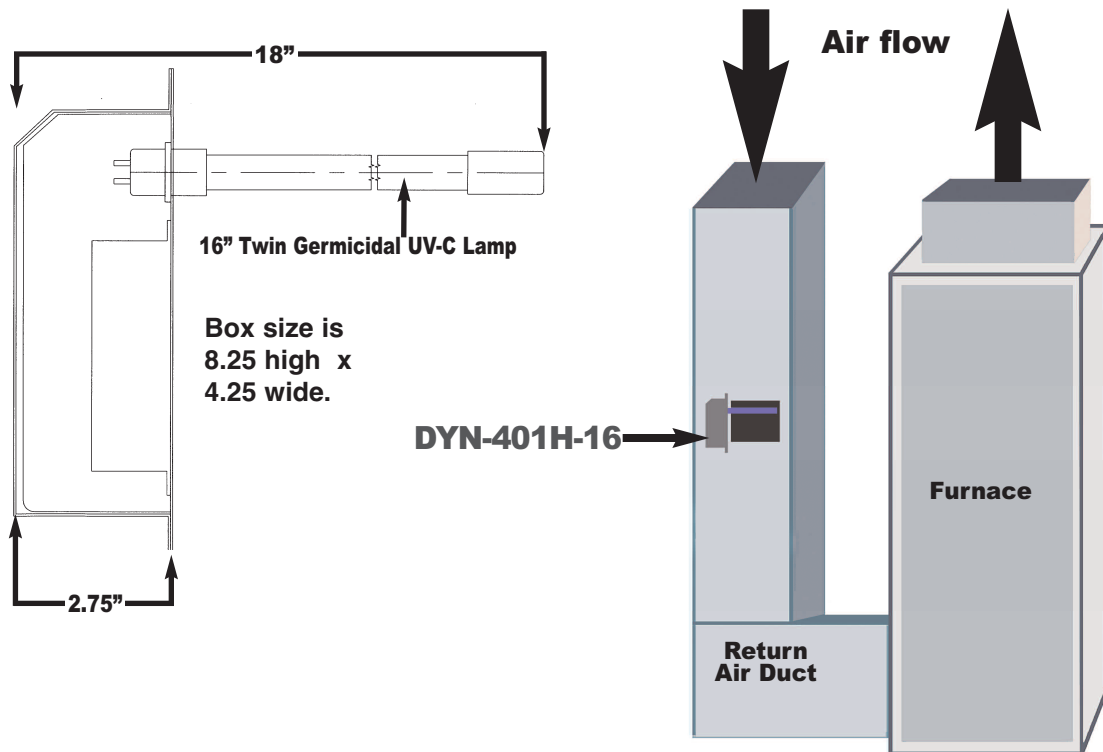
WARRANTY

All electronic components carry a lifetime warranty to the original homeowner. In addition there is a four year warranty from the date of installation for any subsequent owner. The manufacturer reserves the right to send replacement parts or to replace the unit at its discretion. This warranty does not cover any labor or damage resulting from improper installation or abuse.

The original lamps are warranted for a period of two years. This warranty does not cover lamps broken during shipping, installation or as a result of improper handling.

All returns are routed through your contractor/wholesaler and must be approved and accompanied by an RGA#. Please call 800-578-7873 and we will guide you through the return procedure.

This warranty gives you specific legal rights and you may also have other rights which vary from state to state.



DYN-401H-16 SERIES 2 UVC LAMP Installation & Maintenance Instructions

UNPACKING THE UNIT

Each DYN-401H-16 Series 2 UVC Lamp unit is shipped with the germicidal lamp placed in a lamp box. Carefully remove lamp from the lamp box taking care to not touch the glass portion with bare hands. Oils from the hands can cause "hot spots" which reduce lamp life. Handle by the plastic end cap or use a soft cloth. Clean the lamp, using a soft cloth dampened with rubbing alcohol. The lamp is fragile and proper care must be taken when removing from packaging.

The following parts are included:

- DYN-401H-16 Series 2 UVC Lamp
- 16" Germicidal Twin H Lamp (packed in lamp box)
- Four Sheet Metal Screws
- Installation & maintenance instructions
- 120 VAC Power Cord

IMPORTANT: SAFETY INSTRUCTIONS IMPORTANT: Instructions de sécurité

When installing and using this electrical equipment, basic safety precautions should always be followed including the following:

- 1. READ AND FOLLOW ALL INSTRUCTIONS.**
- 2. SAVE THESE INSTRUCTIONS.**
3. Always be sure the unit is unplugged during installation or service procedures.
- 4. The ultraviolet light produced by the UV lamp is harmful to your eyes. Do not look directly at the lamp. Should it become necessary to view the lamp, use UV-protected sunglasses.**

Lors de l'installation et de l'utilisation de cet équipement, des précautions devront être suivies.

- 1- Lire et suivre les étapes attentivement.**
- 2- Conserver ces instructions.**
- 3- Assurez vous de toujours débrancher avant l'installation ou le service.
- 4- Ne pas regarder la lampe directement avec les yeux. Si nécessaire de le faire, veuillez porter les lunettes de soleil contre les rayons U.V.**

INSTALLATION

- Best results are achieved when the unit is installed where the HVAC system air temperature is most constant. Therefore, the preferred installation is on the *return side* of the furnace. If return side installation is not possible, install the unit on the supply side, keeping it as far from the heat/cooling source as possible, and in the main airstream.

- Do not locate the unit within 20" of any plastic material that will be directly exposed to the UV light, such as wiring, a return side humidifier or certain types of air filters. Check with the filter manufacturer to see if their material is UV resistant. Over time, UV light may degrade plastic materials.

- Do not touch the glass portion of the lamp with bare hands because oils from the hands can cause "hot spots" which reduce lamp life. Handle either by the porcelain caps or use a soft cloth. If you accidentally touch a lamp, wipe it off, using a soft cloth dampened with rubbing alcohol.

1. Cut out the shaded area of the installation template (*See page insert*). Center the template on the longitudinal axis of the plenum and attach with tape. Trace the hole pattern for the unit and mark centers for mounting screws.

2. Drill 9/64" holes for sheet metal screws & cut opening for the unit.

3. Attach the unit to the air duct using the four sheet metal screws provided.

4. Remove the cover from the unit by removing the top and bottom retaining nuts using a 11/32 size nut driver.

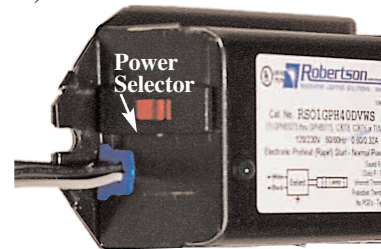
5. Remove germicidal lamp holder using a 11/32 size nut driver (*Figure B*).

6. Slide germicidal lamp into lamp opening and reinstall lamp holder

7. Plug lamp into lamp connector.

8. Supply power by wiring unit according to instructions below.

9. Replace and secure cover using the two retaining nuts.



(Figure A)

WIRING

There is no need to cycle the UVC Lamp with the furnace blower. Install provided 120 VAC power cord and plug the unit into a 120 VAC outlet. Allow unit to run continuously. The ballast is factory set at 120 VAC. For installations that require 240 VAC locate the 120 / 240 volt power selector on the ballast and set for correct voltage (*Figure A*). Connect in accordance with local wiring codes. An optional 240 VAC power cord with 240 VAC connector is available, Part #PC-240.

MAINTENANCE

This maintenance schedule is only a guideline, determined by average conditions. Actual conditions will dictate the frequency of cleaning and/or replacement of lamps. Do not touch the glass portion of the lamp with bare hands because oils from the hands can cause "hot spots" which reduce lamp life. Handle either by the porcelain caps or use a soft cloth. Clean the lamp using a soft cloth dampened with rubbing alcohol.

CLEANING THE LAMP - Recommended interval: 12 months

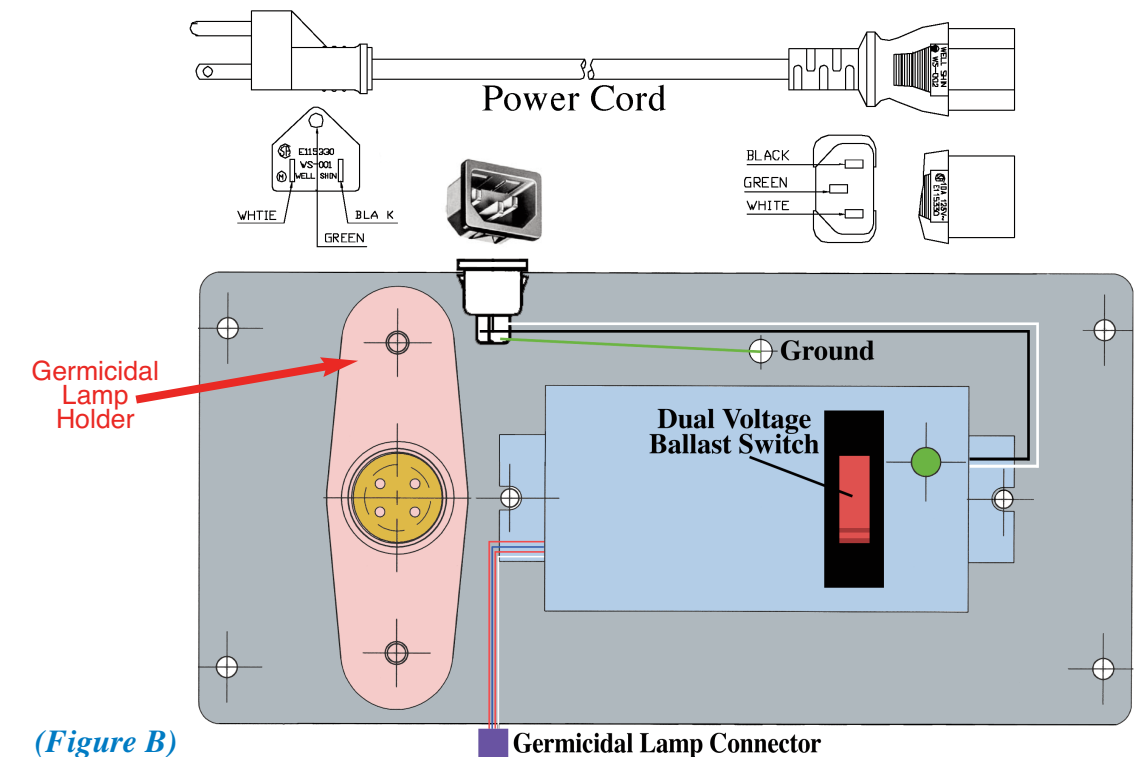
1. Unplug the power cord from the outlet, or disconnect power to the unit.
2. Remove the cover from the unit by removing the top and bottom retaining nuts using a 11/32 size nut driver.
3. Unplug the lamp connector from the end of the lamp.
4. Remove lamp holder using a 11/32 size nut driver. (*Figure B*)
5. Remove the lamp by grasping the porcelain cap and extract carefully.
6. Using a soft cloth moistened with rubbing alcohol, wipe down the lamp. If there is a large build-up of dust particles, you may wish to use a can of air first. Always handle lamp by the end caps.
7. Slide the lamp back into lamp opening and reinstall lamp holder.
8. Plug the lamp into the lamp connector.
9. Replace and secure the cover using the two retaining nuts.
10. Plug power cord back into outlet, or restore power to unit.

REPLACING THE LAMP - Recommended interval: 24 months

Replacement lamps are available through your HVAC contractor.

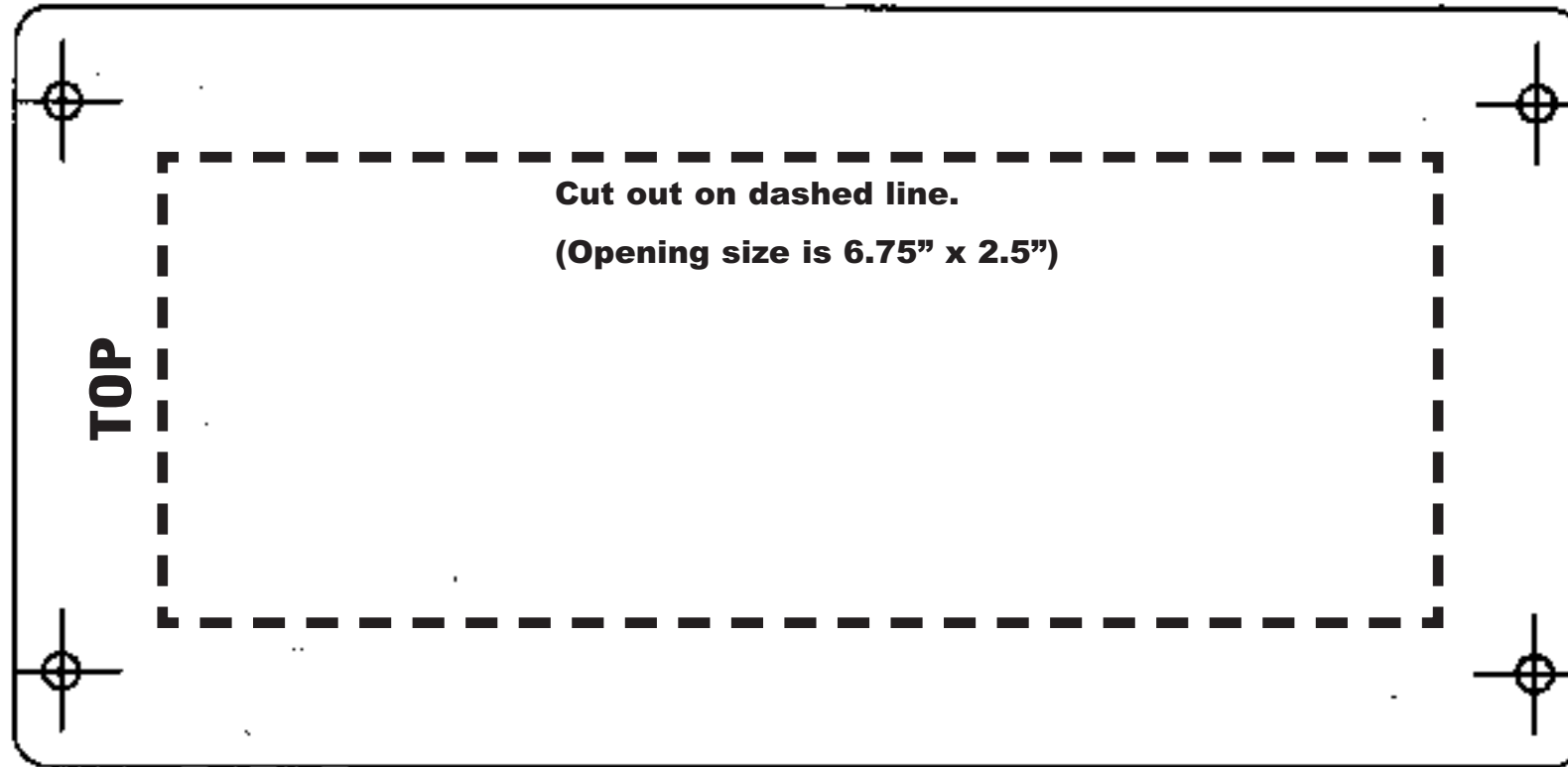
Follow above procedure excluding #6.


(Please note standard off-the-shelf lamps are not compatible with this unit.
Use of improper lamps will void warranty.)



(Figure B)

DYN-401H-16 INSTALLATION TEMPLATE



1. Cut out area of template indicated by the dotted line.
2. Place template on the return path of the HVAC system and trace the hole pattern for the unit and mark centers for mounting screws.
3. Drill one 9/64" hole at each of these locations  for sheet metal screws.
4. Cut opening for the unit.
5. Install unit into air duct using the four sheet metal screws provided.