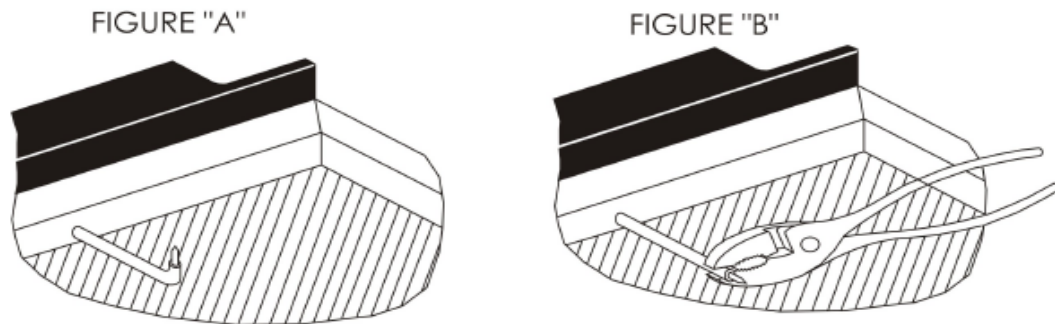
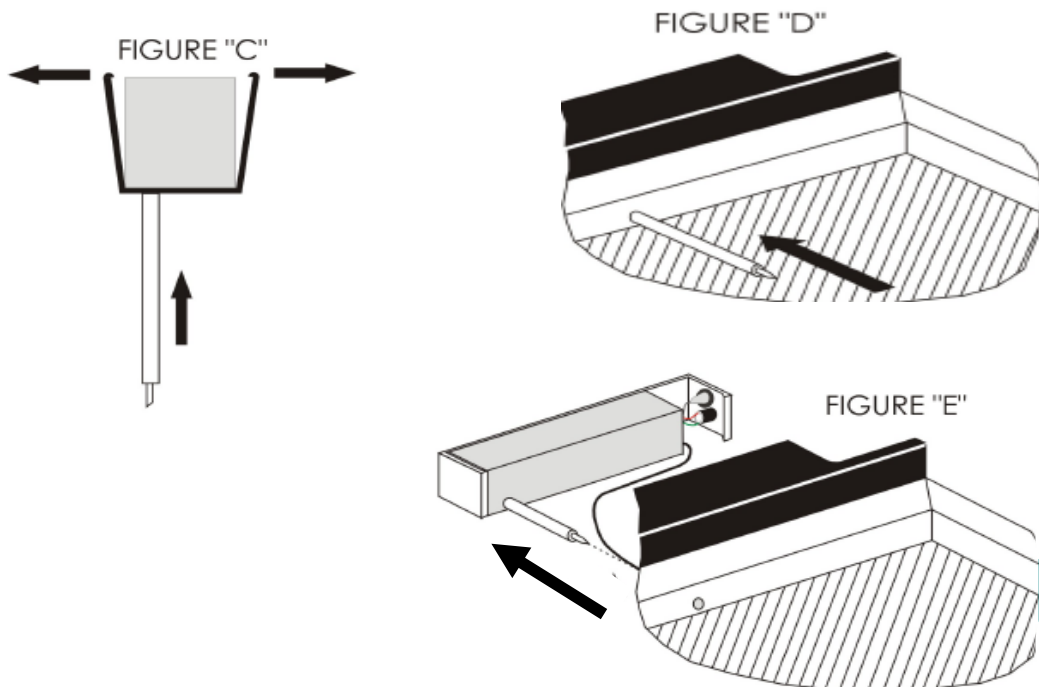


I. REMOVING THE OLD POWERHEAD

1. Unplug unit and open the air cleaner to the exposed electrode (Figure "A").
2. Using a pair of pliers, straighten the electrode (Figure "B").



3. Spread the channel open (Figure "C") and push up on the electrode (Figure "D").
4. The powerhead should pop out of the top channel (Figure "E").



II. INSTALLING THE NEW POWERHEAD

1. Insert the ground wire through the hole on the channel and frame (Figure "F").
2. Insert the electrode through the hole in the channel and frame.

3. Spread the channel sides open and push the powerhead into the top channel until it locks under the lip.

FIGURE "F "

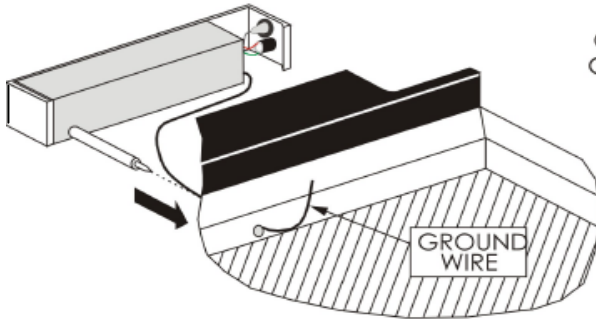
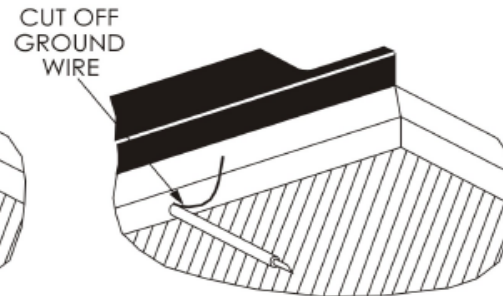


FIGURE "G"



4. Cut the ground wire so that it protrudes just inside the frame (Figure "G").
5. Using pliers, carefully bend the tip of the electrode (and plastic sleeve) up 90 degrees (Figures "H" and "I" and "J") so that the electrode seats in the plastic insulator button when the air cleaner screens are closed.

FIGURE "H"

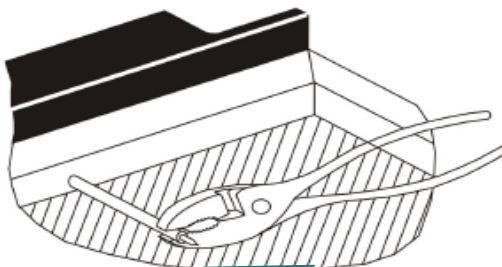


FIGURE "I "

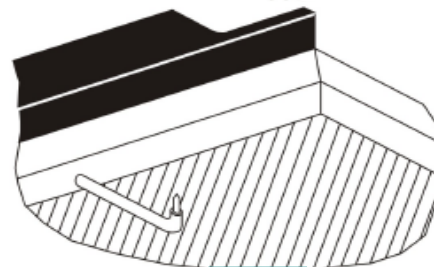
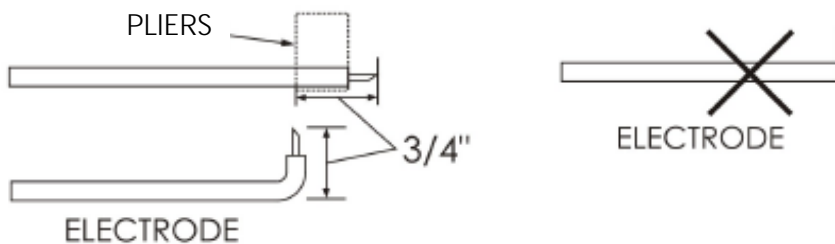


FIGURE "J "



6. Replace the media pad and close the air cleaner. When plugged in and power is "on", the indicator light should be illuminated.